
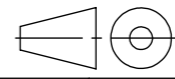


ITEM NO.	PART NUMBER	DESCRIPTION	Static backrest/QTY.
1	H-78-007-A	Nordia Static HBC complete wooden assembly	1
2	H-78-029-SK	Nordia HBC and group seat foam. BA207802	1
3	Plastic slide bearing Ø10xØ8 L17	Pla-Mek Hylse Art.Nr. PM01040. . Fixing hole backrest HBC. ba760017	2
4	Hexagon Socket Bolt M6x16	Pleksor 1091206016. Hexagon Socket Bolt 6x16mm, DIN912, Zn. BA902302	8
5	Bolt backrest 8x48	Bolt for HBC backrest M8x48. BA951109	2
6	H-78-033-SK	Nordia HBC foam backrest. BA207800	1
7	Countersunk screw M6x16	Pleksor 1013131050. Hexagon Socket Countersunk Screw 6x16mm, DIN7991, Zn. BA950615	4
8	Cylinder head bolt M6x80 Zn	Pleksor 1013111462* M6x80mm Zn Hexagon NV4. BA950314	4
9	H-78-106-A	Nordia HBC KIT 3. Static backrest. BA307803	1
10	Flat Head Screw 4.0x30mm	Pleksor 0220040300 ABC-Spax Flat Head Screw 4.0x30mm, Zn BA950147	4
11	Cross dowel M6x10x14	Pleksor 2014210311 M6x10x14mm Zn Displaced Hole. BA950402	4
12	Dowel Ø12x50	Dowel Ø12x50mm. BAT12x50	4
13	Glide Ø22mm	Pleksor 5272201004* Ø22mm White Plastic BA760077	4
14	Star Washer M6xØ11	Pleksor 5067980006 M6 Zn DIN 6798. BA950904	4

Date approved: 16/02/2021	Date created: 08/11/2017	DIMENSIONS IN MILLIMETERS EUROPEAN PROJECTION		 HELLAND MØBLER AS P.O Box 10, NO-6259 Stordal
Approved by: Leine.D	Tolerance: +/- 0,3 mm			
Revis ion by: uustalu.u	Sheet format/size A3	Scale: 1:7	Units mm	UNLESS OTHERWISE SPECIFIED: DIMENSIONS ARE IN MILLIMETERS
Weight in grams:	Material:	THIS DRAWING IS THE PROPERTY OF HELLAND AS AND MUST NOT BE COPIED OR USED WITHOUT OUR APPROVAL.		Last saved: 16/02/2021
Description Nordia HBC static backrest. HB78053		Part number/name: H-78-018-A-REV	Revision REV	Last saved by: Uve Config name: Static backrest