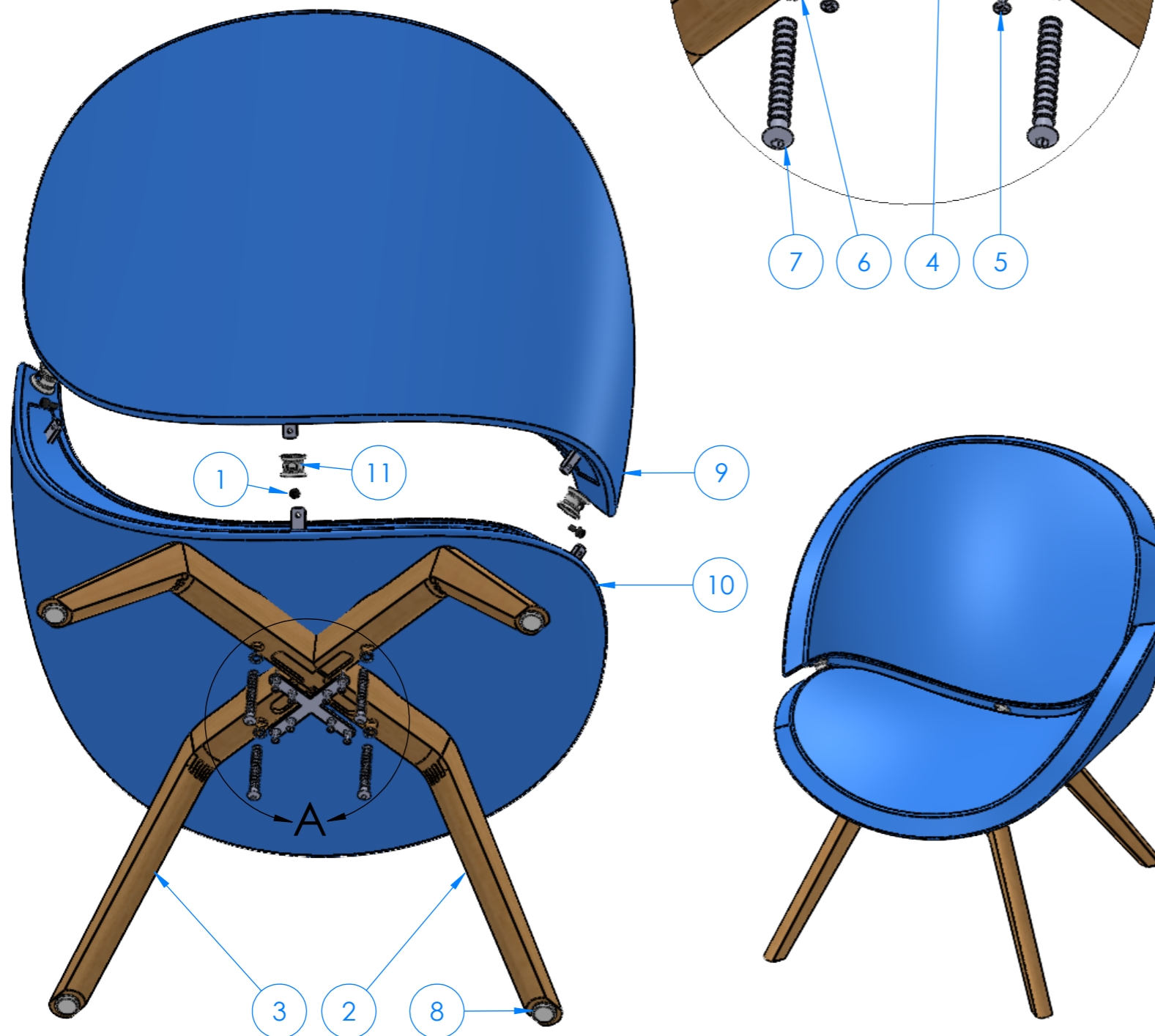
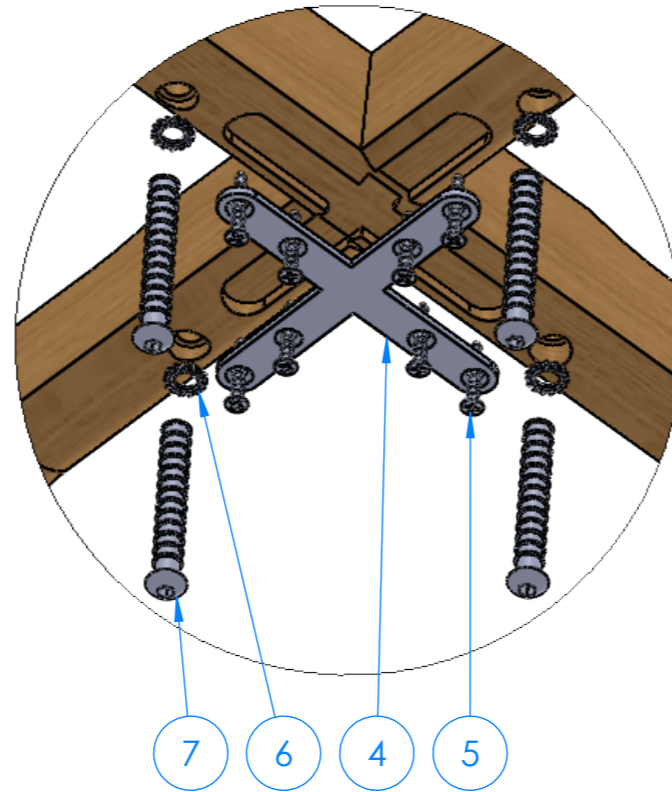


DETAIL A

SCALE 2 : 5



ITEM NO.	NAME	DESCRIPTION	QTY.
1	Hexagon Socket Bolt M6x12	Hexagon Socket Bolt 6x12mm,DIN7984,Zn,Black, ba952300	3
2	H-33-014-A	Twin chair solid wood assembly legs top/above, BU12330001	1
3	H-33-015-A	Twin chair solid wood assembly legs under, BU12330101	1
4	H-33-011-S	Twin chair with wood legs, X-bracket steel, ba303311	1
5	Flat Head Screw Ø4.5x30	Flat head screw 4.5x30, ba950126	8
6	Star Washer M8xØ15	Star washer M8 Zn DIN 6798. ba950905	4
7	Pan head bolt M8x70	Pan Head Socket Bolt 8x70mm,ISO7380, ba952302	4
8	Glide Ø26mm	Pleksor 5272201006* Ø26mm White Plastic ba760034	4
9	Backrest	Twin Back right foam S335B, ba203300 (left foam S334B. ba203301)	1
10	Seat	Twin Seat right foam S335, ba203302 (left foam S334. ba203303)	1
11	Twin chair bush	Twin chair, spacer between seat and back, chrome, ba303312	3

Date approved
2021-03-15

Date created:
2021-04-07

DIMENSION IN MILLIMETERS
EUROPEAN PROJECTION

Approved by:
Leine.D

Tolerance:
+/-0,3 mm



HELLAND
BALTIC

HAPVAL,NÖMME KÜLA
HAAPSALU LÄÄNEMAA
90439 EESTI

Drawn by:
Danel Jaanson

Sheet format/size
A3

Scale:
1:5

Units:
mm

UNLESS OTHERWISE SPECIFIED:
DIMENSIONS ARE IN MILLIMETERS

Last saved:
2021-04-07

Weight in grams:

Material:
Legs - Birch / Oak

THIS DRAWING IS THE PROPERTY OF THE HELLAND BALTIC OÜ
AND MUST NOT BE COPIED OR USED
WITHOUT OUR APPROVAL

Last saved by:
Danel

Description:

Twin chair (left, wood)- Bill of materials

Part number/name:

H-33-019-A

Revision

Config name:

H-33-019-A
Wooden legs